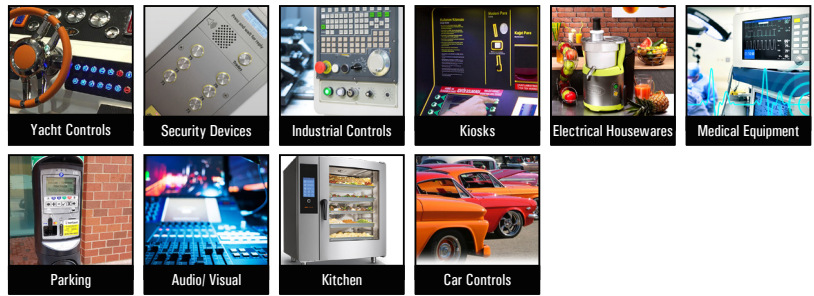


# Anti vandal switch $\varnothing 19\text{mm}$

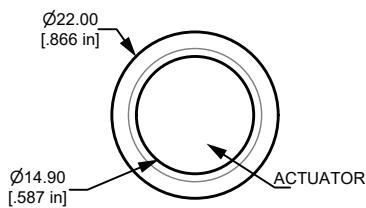
## APPLICATIONS / MARKETS



## ORDER CODE

Series	Actuator Options	Terminal Options	Function Options	Material Options	Graphic Options
V19	F- Flat H- High B- Domed	P- Solder lug (2.8x0.5) NONE- Screw	Momentary 1- NO	S- Stainless steel N- Nickel plated brass A- Anodized aluminum G- Gold plated brass	NONE- Non-marking LE- Laser etched

## DESCRIPTION

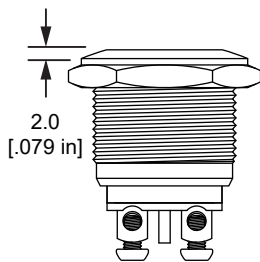


Panel Thickness: 1~8mm

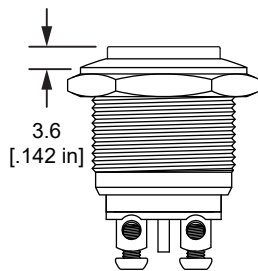
## TECHNICAL DATA

Type	V19-F	V19-B	V19-H
Actuator Options	Flat Actuator	Domed Actuator	High Actuator
Terminal	Screw/ Solder (2.8X0.5)		
Max.Switch Rating	2A 48VDC		
Contact Resistance	$\leq 50\text{m}\Omega$		
Insulation Resistance	$\geq 1000\text{m}\Omega$		
Dielectric Strength	2000VAC		
Operation Temp	$-20^{\circ}\text{C} \sim +55^{\circ}\text{C}$		
Mechanical Life	1,000,000 Cycles		
Electrical Life	200,000 Cycles		
Contact Material	Silver Alloy		
Torque	5 ~ 14Nm		
Operation Pressure	approx. 4N		
Protection	IP65/ IK08		
Material			
Actuator	Stainless steel/ Gold or Nickel plated brass/ Anodized aluminum		
Body	Stainless steel/ Gold or Nickel plated brass/ Anodized aluminum		
Base	PBT		

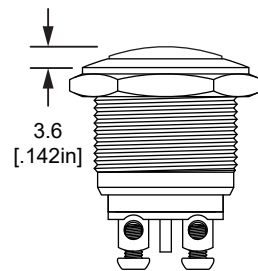
## ACTUATOR OPTIONS



Flat Actuator



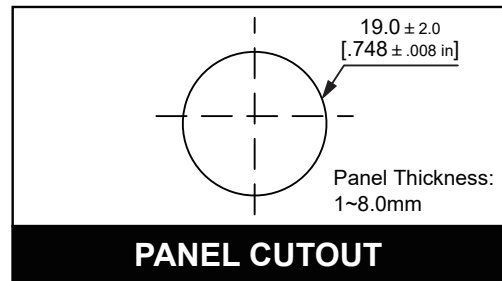
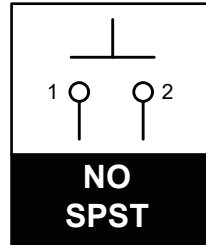
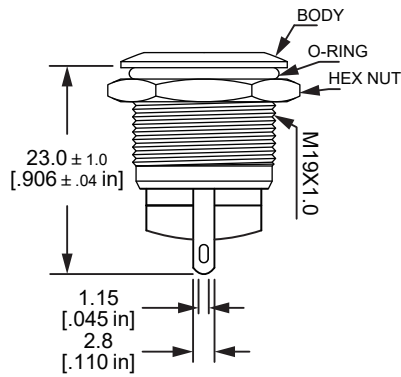
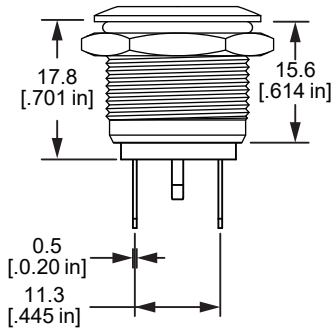
High Actuator



Domed Actuator

# Anti vandal switch $\phi 19\text{mm}$

## SOLDER TERMINAL



## SCREW TERMINAL

