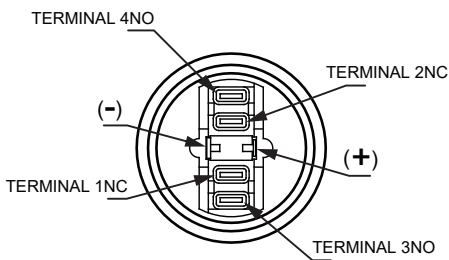


Anti vandal switch $\varnothing 22\text{mm}$

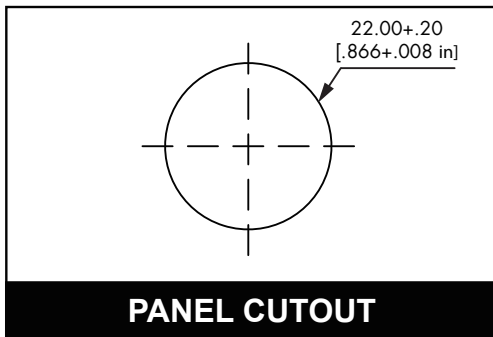
APPLICATIONS / MARKETS



DESCRIPTION



Terminals (-) and (+) used with Illum. option only



Panel Thickness:
1-12mm for Alternated
1-10mm for Momentary

ORDER CODE

Series	Actuator Options	Terminal Options	Function Options	Material	Illumination Style Options	Led-Color Options	Illumination Voltage Options	Graphic Options
L22	F- Flat	NONE- Solder-lug (2.8x0.5)	M- Momentary 1- 1NO1NC Z- Alternated 1- 1NO1NC	S- Stainless steel A- Anodized aluminum*	D- Dot illum. R- Ring illum. NONE- non-illum.	W- White Y- Yellow B- Blue G- Green R- Red O- Orange	NONE- Base Voltage** 3.3V 6V 12V 24V 36V 110V 220V	NONE- Non-marking LE- Laser etched

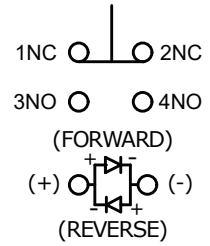
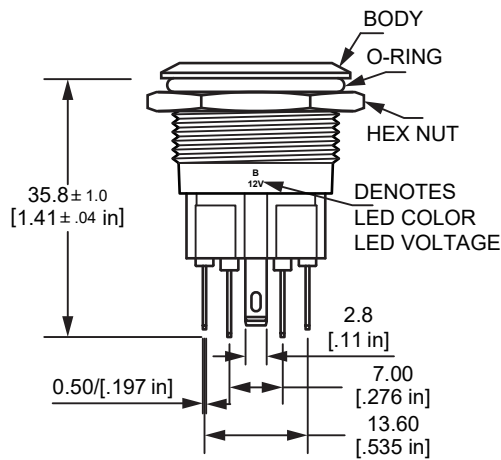
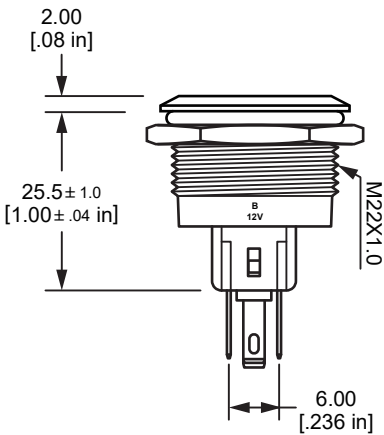
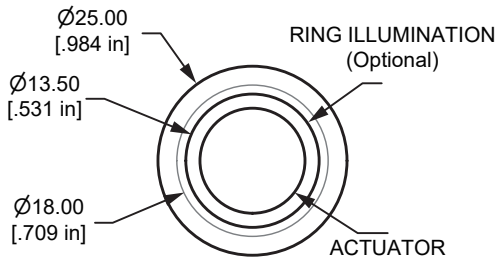
NOTES:
* Anodized aluminum: variety of colors(MOO 500pcs/color), standard for black anodized
** Base voltage on LEDs:
1.8V @ 20mA for Red, Yellow and Orange LED colors
2.8V @ 20mA for Blue, Green and White LED colors

TECHNICAL DATA

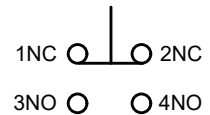
Type	L22-F
Illuminated Options	Non-Illuminated/ Ring Illuminated/ Dot Illuminated
Terminal	Solder lug (2.8X0.5)
Max. Switch Rating	Ith: 5A Ui: 250VAC
Contact Resistance	$\leq 50\text{m}\Omega$
Insulation Resistance	$\geq 1000\text{m}\Omega$
Dielectric Strength	2000VAC
Operation Temp	-20°C ~ +55°C
Mechanical Life	1,000,000 Cycles
Electrical Life	>50,000 Cycles
Contact Material	Silver Alloy
Torque	5 ~ 14Nm
Operation Pressure	approx. 8N
Protection	IP65/ IK10
Material	
Actuator	Stainless Steel/ *Anodized Aluminum
Body	Stainless Steel/ *Anodized Aluminum
Base	PA
LED	
Color	3.3V/ 6V/ 12V/ 24V/ 36V/ 110V/ 220V R G Y O B W
	Approx, 40,000 hours

Anti vandal switch $\varnothing 22\text{mm}$

MOMENTARY



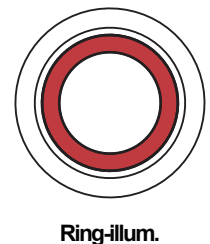
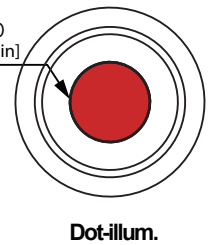
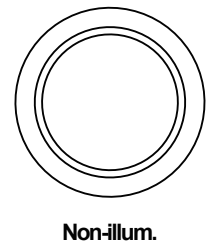
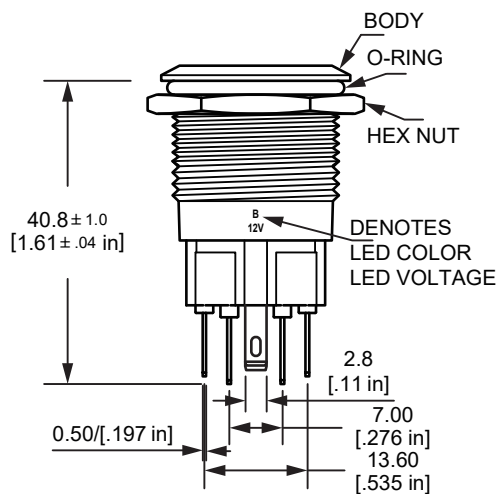
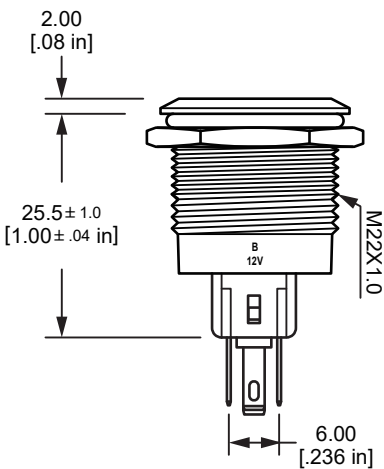
CONTACT CONFIGURATION ILLUMINATED



CONTACT CONFIGURATION NON-ILLUMINATED

FUNCTIONS

ALTERNATED



LENS OPTIONS